

## TECHNICAL DATA SHEET

ITEM NO.	MODEL NO.	AMPS	HP	kW	NET WT.		VOLT	FREQ.
					lbs.	kg		
1206215	2x120R-40M	20/16	4	3.0	335	152	230	60/50 Hz

**NOTES:**

1. PRESSURE SWITCH SET TO CUT-IN AT 87 PSI & CUT-OUT AT 116 PSI.
2. PRODUCT PERFORMANCE MAY VARY  $\pm 10\%$  IN STANDARD PRODUCTION.
3. TECHNICAL DATA SUBJECT TO CHANGE WITHOUT NOTICE.
4. ALL DIMENSIONS ARE FOR REFERENCE ONLY.
5. FOR INDOOR USE ONLY

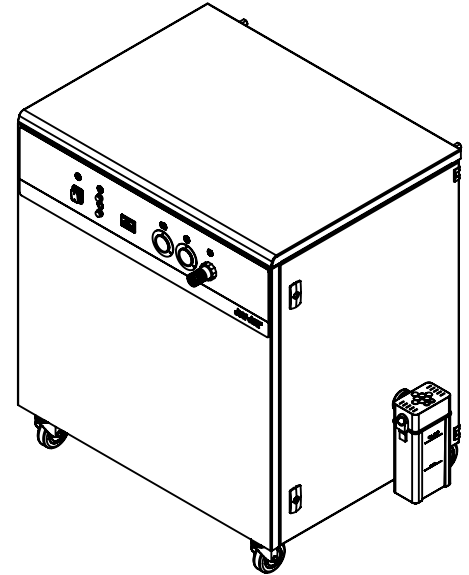
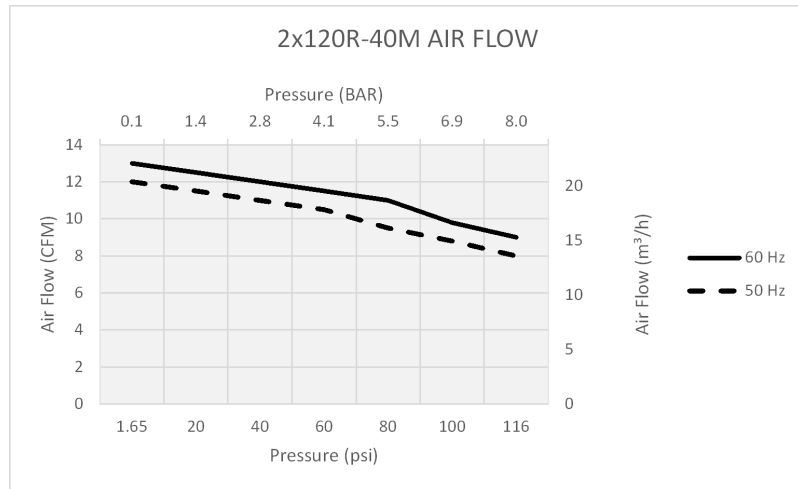
**SOUND LEVEL** 70 db(A) /1m

**NORMAL AMBIENT** 5-40°C / 40-104°F

**RELATIVE HUMIDITY** 20-80% NON CONDENSING

**ENVIRONMENT** CLEAN / DUST FREE

**PRODUCT PERFORMANCE:**



**PRODUCT DIMENSIONS:**

