

JUN-AIR

A UNIT OF **IDEX** CORPORATION
BENTON HARBOR, MI U.S.A.

GAST MANUFACTURING INC.
A Unit of IDEX Corporation
Post Office Box 97
Benton Harbor, Michigan
Ph: 269/926-6171
Fax: 269/925-8288

PART NUMBER:

RTD904

REV.

B

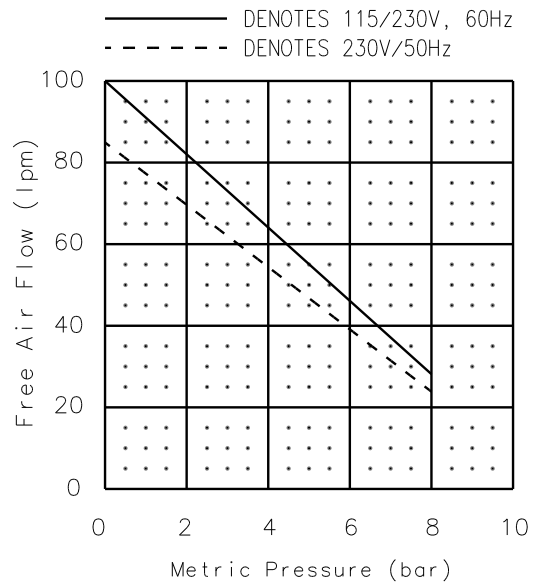
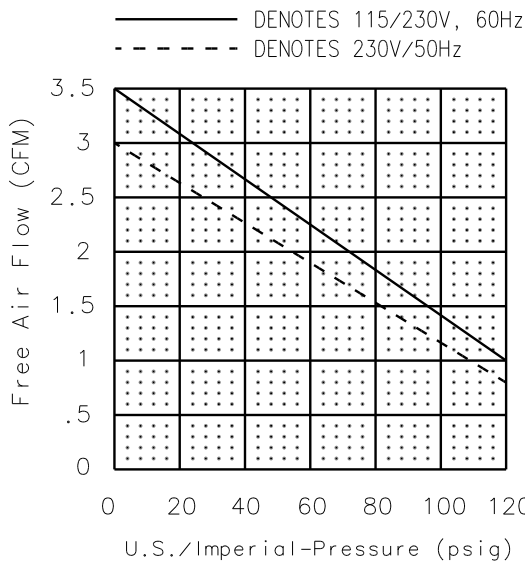
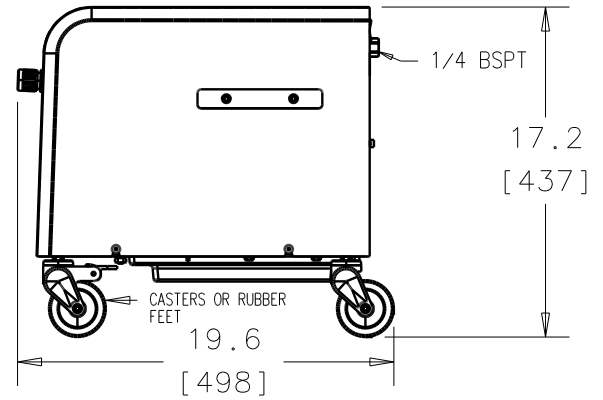
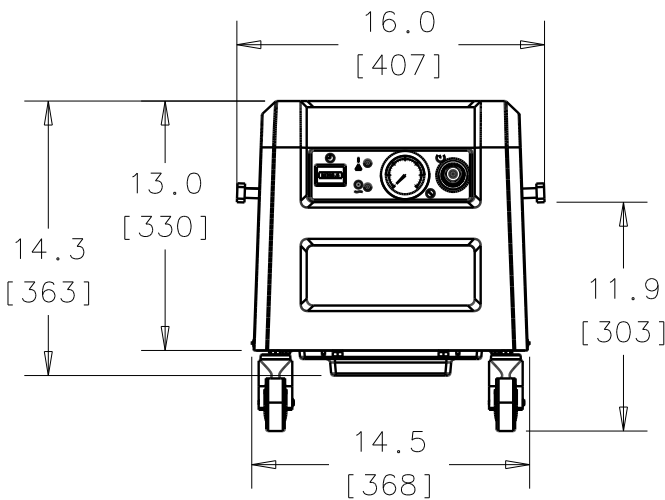
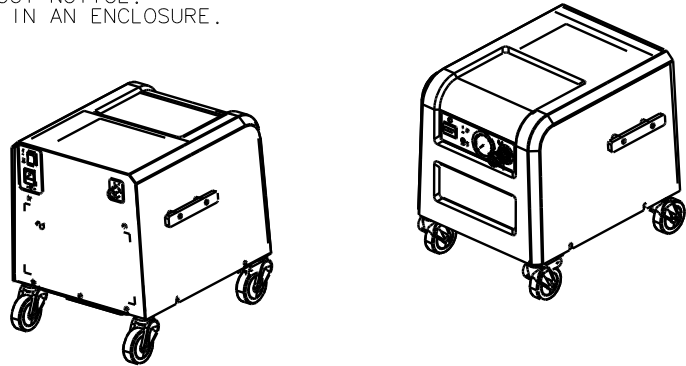
NOTES:

1. ALL DIMENSIONS ARE FOR REF. USE ONLY.
2. PRODUCT DIMENSIONS: U.S. IMPERIAL (inches).
3. * = TECHNICAL DATA SUBJECT TO CHANGE WITHOUT NOTICE.
4. INSTALLATION: THIS PUMP MUST BE INSTALLED IN AN ENCLOSURE.

SOUND LEVEL	50 dB(A) at 1 meter
NORMAL AMBIENT	+10 - +40°C
RELATIVE HUMIDITY	10 - 95% (NON-CONDENSING)
REGULATORY	UL1450 / CE / CSA22.2
CLVS	99V / 198V
MAX. DUTY	120 PSI / 8 BAR

Product Performance

THE PERFORMANCE CURVE IS A NOMINAL APPROXIMATION FOR THE MODEL LESS ACCESSORIES, INTAKE FILTERS/EXHAUST MUFFLERS & ACCUMULATION OF CONTAMINANTS WILL DECREASE THE FLOW OF AIR.



Product Specifications

ITEM NUMBER	ELECTRICAL	SERVICE		HP.	kW.	NET WT.		AMPS	CAPACITOR
		FILTERS	COMPRESSOR			lbs.	kg.		
1770008	115V, 50/60Hz	2000 hrs.	8000 hrs.	1/2	.37	65	29.48	5.3/4.7	30.0/370V
1770009	230V, 50/60Hz	2000 hrs.	8000 hrs.	1/2	.37	65	29.48	2.8/2.3	30.0/370V
1770018	100V, 50/60Hz	2000 hrs.	8000 hrs.	1/2	.37	65	29.48	4.9/5.6	35.0/370V