

TECHNICAL DATA SHEET

MODEL NO.	AMPS	HP	kW	NET WT.		VOLT	FREQ.
				lbs.	kg		
87R-25B-JECCB	2.8	1/2	0.37	70	32	230	60

NOTES:

1. SYSTEM CONFORMS TO UL REQUIREMENTS.
2. PRESSURE SWITCH SET TO CUT-IN AT 6 BAR & CUT-OUT AT 8 BAR.
3. PRODUCT PERFORMANCE MAY VARY ±10% IN STANDARD PRODUCTION.
4. SUPPLIED WITH NEMA 6-20P PLUG.
5. TECHNICAL DATA SUBJECT TO CHANGE WITHOUT NOTICE.
6. ALL DIMENSIONS ARE FOR REFERENCE ONLY.

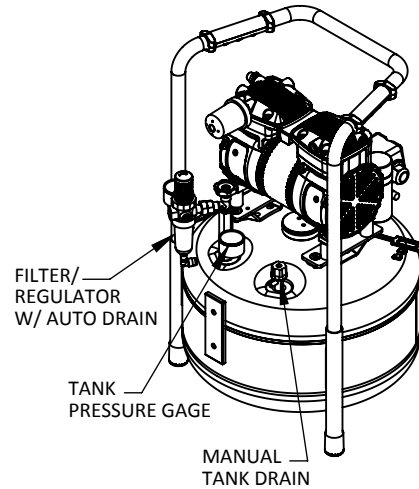
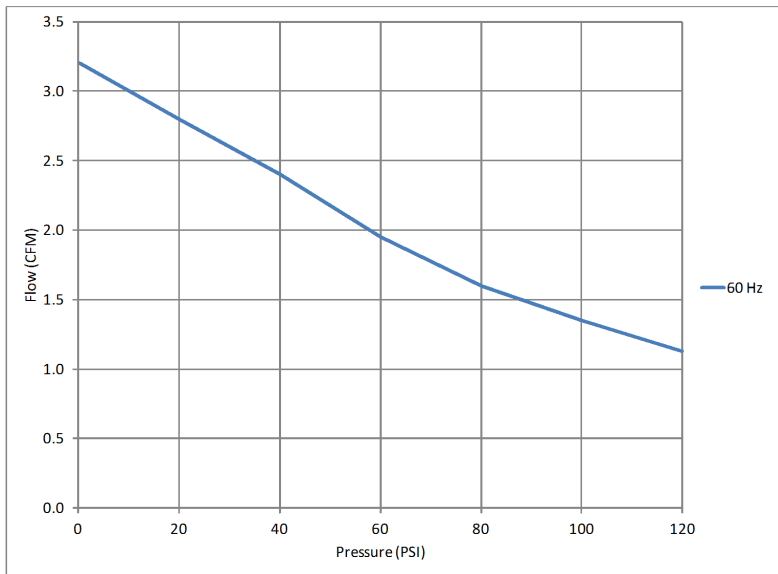
SOUND LEVEL 63 dB(A) /1m

NORMAL AMBIENT 5-40 °C / 40-104 °F

RELATIVE HUMIDITY 20-80% NON CONDENSING

ENVIRONMENT CLEAN / DUST FREE

PRODUCT PERFORMANCE:



PRODUCT DIMENSIONS:

