

## TECHNICAL DATA SHEET

MODEL NO.	AMPS	HP	kW	NET WT.		VOLT	FREQ.
				lbs.	kg		
87R-4B-JECCH	2.8	1/2	0.37	40	18	230	60

**NOTES:**

1. SYSTEM CONFORMS TO UL REQUIREMENTS.
2. PRESSURE SWITCH SET TO CUT-IN AT 6 BAR & CUT-OUT AT 8 BAR.
3. PRODUCT PERFORMANCE MAY VARY ±10% IN STANDARD PRODUCTION.
4. SUPPLIED WITH NEMA 6-20P PLUG.
5. TECHNICAL DATA SUBJECT TO CHANGE WITHOUT NOTICE.
6. ALL DIMENSIONS ARE FOR REFERENCE ONLY.

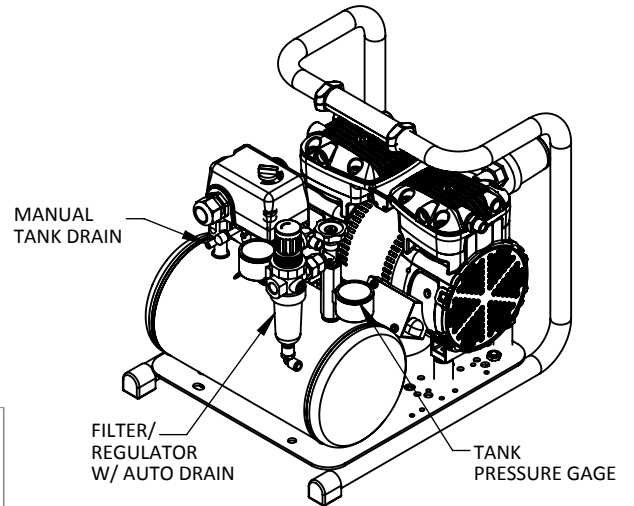
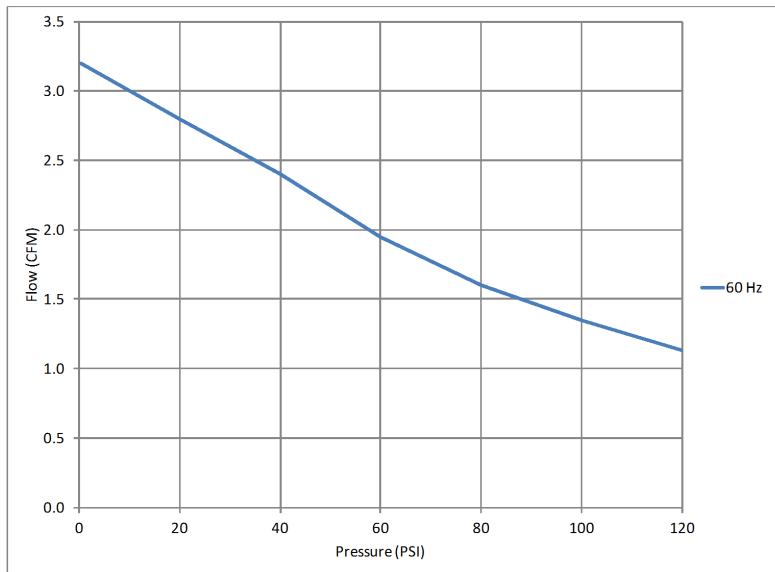
**SOUND LEVEL** 63 dB(A) /1m

**NORMAL AMBIENT** 5-40°C / 40-104°F

**RELATIVE HUMIDITY** 20-80% NON CONDENSING

**ENVIRONMENT** CLEAN / DUST FREE

**PRODUCT PERFORMANCE:**



**PRODUCT DIMENSIONS:**

